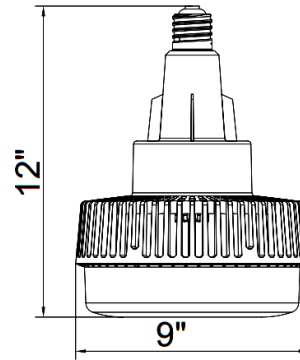




**DIMENSIONS:**

12"(H) x 9"(D)



**HPL-HB-120W-50K-E39**

**LED HIGH POWER LAMPS**

Ideal for retrofitting existing HID high bay, it can be used in enclosed luminaires

**ELECTRICAL SPECIFICATIONS:**

- Voltage: 120-277VAC 50/60Hz
- Wattage: 120W
- Power factor: >0.90
- Efficacy: 108LM/W
- THD: 25%

**HOUSING SPECIFICATIONS:**

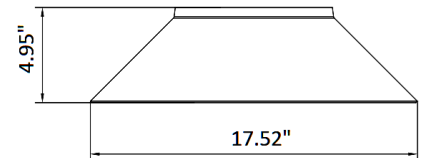
- Aluminum and PC Housing
- No fan housing (New Technology)
- Lamp base: E39 Mogul Base
- Operating temperature: -4°F ~ 122°F
- Lifespan: 50,000 hrs.
- IP rating: suitable for damp location

**CERTIFICATIONS:** UL,DLC



MODEL	WATTS	VOLTAGE	LUMENS	COLOR TEMP
HPL-HB-120W-50K-E39	120W	120~277VAC	13000LM	5000K

**OPTIONAL ACCESSORIES:**



MODEL	DESCRIPTION
HPL-HB-R3	PC Reflector

**LIGHTING SPECIFICATIONS:**

- Total lumens: 13000LM
- Color temperature: 5000K
- Color rendering index: >80
- Beam Angle: 120°

**WARRANTY:** 5 years

